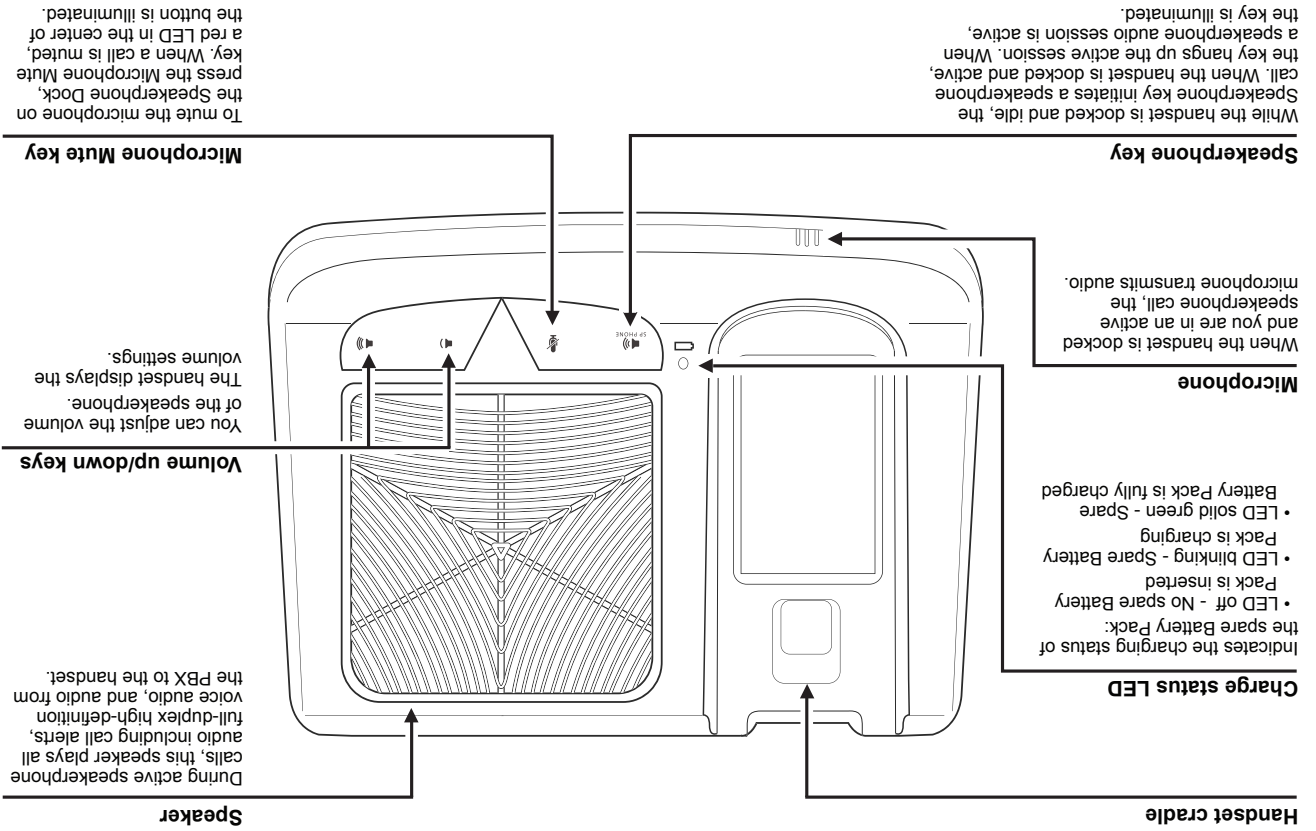


Features



Contact Information

Spectralink Corporation

US Location

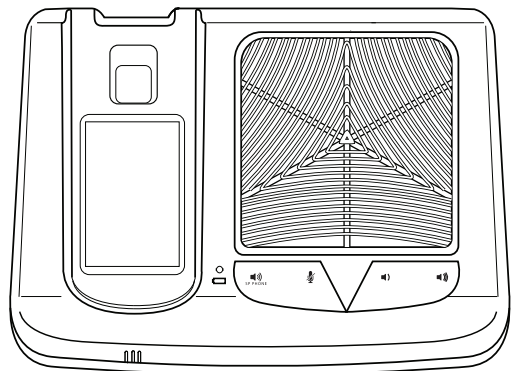
800-775-5330
2560 55th Street
Boulder, CO 80301
info@spectralink.com

Denmark Location

+45 7560 2850
Spectralink Europe ApS
Langmarksvej 34
8700 Horsens
infodk@spectralink.com



Spectralink® 8410 Speakerphone Dock Quick Start Guide



Copyright Notice

© 2013 Spectralink Corporation All rights reserved. Spectralink™, the Spectralink logo and the names and marks associated with Spectralink's products are trademarks and/or service marks of Spectralink Corporation and are common law marks in the United States and various other countries. All other trademarks are property of their respective owners. No portion hereof may be reproduced or transmitted in any form or by any means, for any purpose other than the recipient's personal use, without the express written permission of Spectralink.

All rights reserved under the International and pan-American Copyright Conventions. No part of this manual, or the software described herein, may be reproduced or transmitted in any form or by any means, or translated into another language or format, in whole or in part, without the express written permission of Spectralink Corporation.

Do not remove (or allow any third party to remove) any product identification, copyright or other notices.

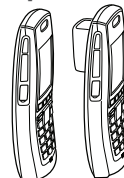
Notice

Spectralink Corporation has prepared this document for use by Spectralink personnel and customers. The drawings and specifications contained herein are the property of Spectralink and shall be neither reproduced in whole or in part without the prior written approval of Spectralink, nor be implied to grant any license to make, use, or sell equipment manufactured in accordance herewith.

Spectralink reserves the right to make changes in specifications and other information contained in this document without prior notice, and the reader should in all cases consult Spectralink to determine whether any such changes have been made.

NO REPRESENTATION OR OTHER AFFIRMATION OF FACT CONTAINED IN THIS DOCUMENT INCLUDING BUT NOT LIMITED TO STATEMENTS REGARDING CAPACITY, RESPONSE-TIME PERFORMANCE, SUITABILITY FOR USE, OR PERFORMANCE OF PRODUCTS DESCRIBED HEREIN SHALL BE DEEMED TO BE A WARRANTY BY SPECTRALINK FOR ANY PURPOSE, OR GIVE RISE TO ANY LIABILITY OF SPECTRALINK WHATSOEVER.

For Spectralink® 8400 Series Wireless Telephones



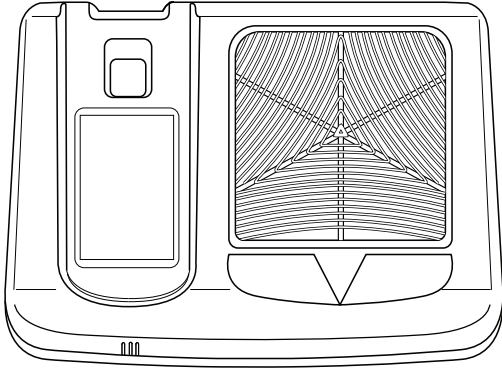
This Speakerphone Dock is for use with Spectralink 8400 Series Wireless Telephones only.

Spectralink 8400 Wireless Telephones are not included in this package. For more information, contact your system administrator.

Package Contents

These items are included with your Speakerphone Dock.

If any items are missing, please contact your system administrator.



NOTE: UNIVERSAL POWER SUPPLY

A 12V DC, 2A UNIVERSAL POWER SUPPLY (PART NUMBER 2200-37241-001) IS REQUIRED TO OPERATE THE SPEAKERPHONE DOCK.

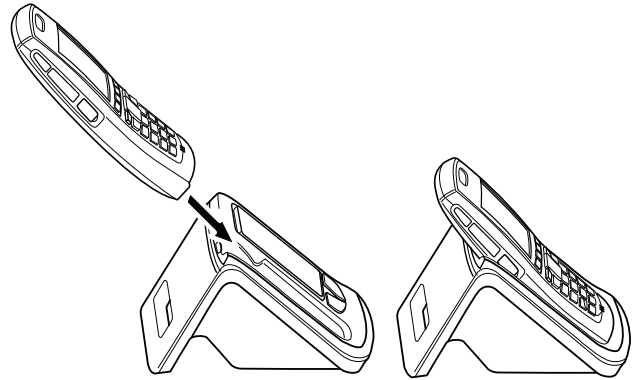
FOR MORE INFORMATION, CONTACT YOUR SYSTEM ADMINISTRATOR.

Dock the Handset

The Speakerphone Dock functions as both a speakerphone and a charger for the Spectralink 8400 Series Wireless Telephones.

Place the handset into the dock. (If you are using a wired headset, it must be unplugged before you place the handset in the Speakerphone Dock.)

Audio will be routed through the Speakerphone Dock, and the handset's Battery Pack will begin charging.



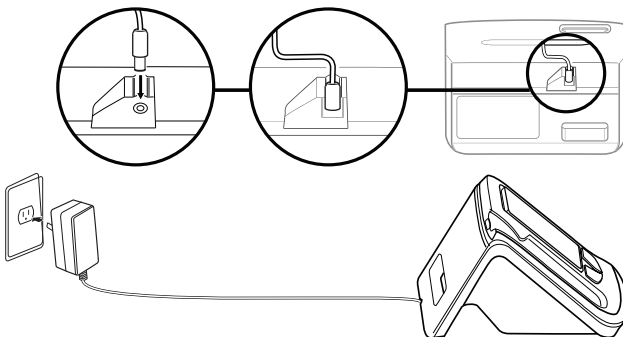
CAUTION!

THE HANDSET WILL MALFUNCTION IF IT IS DOCKED WITHOUT A BATTERY PACK.

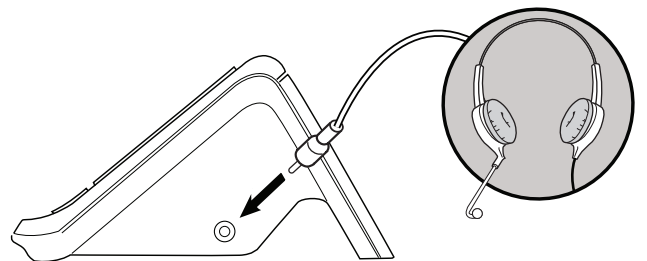
BE SURE THAT A BATTERY PACK IS INSERTED IN THE HANDSET BEFORE DOCKING THE HANDSET.

Connect Power Supply

Plug one end of the universal power supply into the power jack on the bottom of the speakerphone, and the other end into the wall jack.



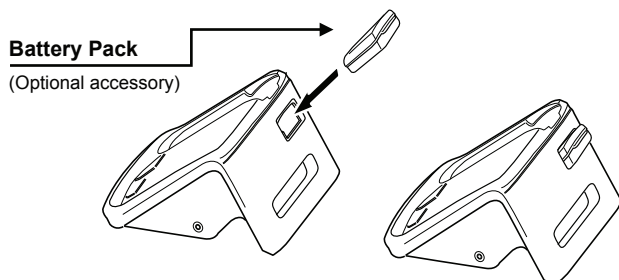
Connect the Headset (Optional)



A wired headset may be used with the Speakerphone Dock. Plug it into the jack on the right side of the Speakerphone Dock and the audio will immediately route through it. If you are using a Bluetooth headset, audio will continue to flow through the Bluetooth headset when the handset is seated in the Speakerphone Dock.

Charge a Spare Battery Pack

The spare battery charging slot is located on the rear of the dock. Place a spare Battery Pack in the charging slot.



Battery Pack

(Optional accessory)