

Technical Bulletin CS-08-13

SpectraLink 8000/6100 Leakage Current



Problem



Safety Warning

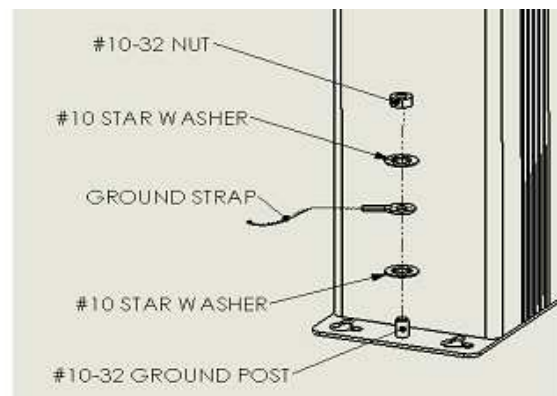
The SpectraLink equipment listed above are contained in a metal chassis that may contain leakage current (i.e., “touch” current) when connected to the power supply. This leakage current is cumulative when multiple units are connected together to form a larger system. Excessive leakage current can cause a shock when touched.

System Affected

SpectraLink 6100 Telephony Gateway
SpectraLink 6100 OAI Gateway
SpectraLink 8000 Telephony Gateway
SpectraLink 8000 SVP Server
SpectraLink 8000 OAI Gateway

Resolution

To prevent the buildup of leakage currents from being present on exposed metal surfaces, the units must be properly grounded to a protective earth ground by means of the grounding stud located on the rear panel (see illustration below). This **MUST** be done to all units before they are powered up.



No more than 15 units may be grounded though one connection to the protective earth ground. Systems with more than 15 units must be separated into groups of 15 or less with each group having their own independent protective earth ground connectors.

Once all units have been properly connected to an earth ground, they can be powered up (using only the provided Class II AC Adapter with an output of

The information provided in the Polycom technical bulletin is provided "as is" without warranty of any kind. No obligation or liability will arise out of, Polycom rendering technical or other advice or service in connection herewith.

Polycom® and the Polycom logo design are registered trademarks of Polycom, Inc. in the U.S. and various countries. All other trademarks are the property of their respective companies.

Effective Date: 07/24/08

24VDC, 1A). Verify that the leakage current on exposed metal surfaces does not exceed 250 μ A rms. If it does, then power off all units and re-verify the grounding connections.