

Technical Bulletin 01-10



Bulletin #: CS-01-010

Software Versions: N/A

Access Level: General

Status: Approved

Date: November 1, 2001

Product Type: Link 3000

Hardware Revision: All

Originator: Matt Jerger

Approvers: John Elms, Gary Bliss

Revision: A

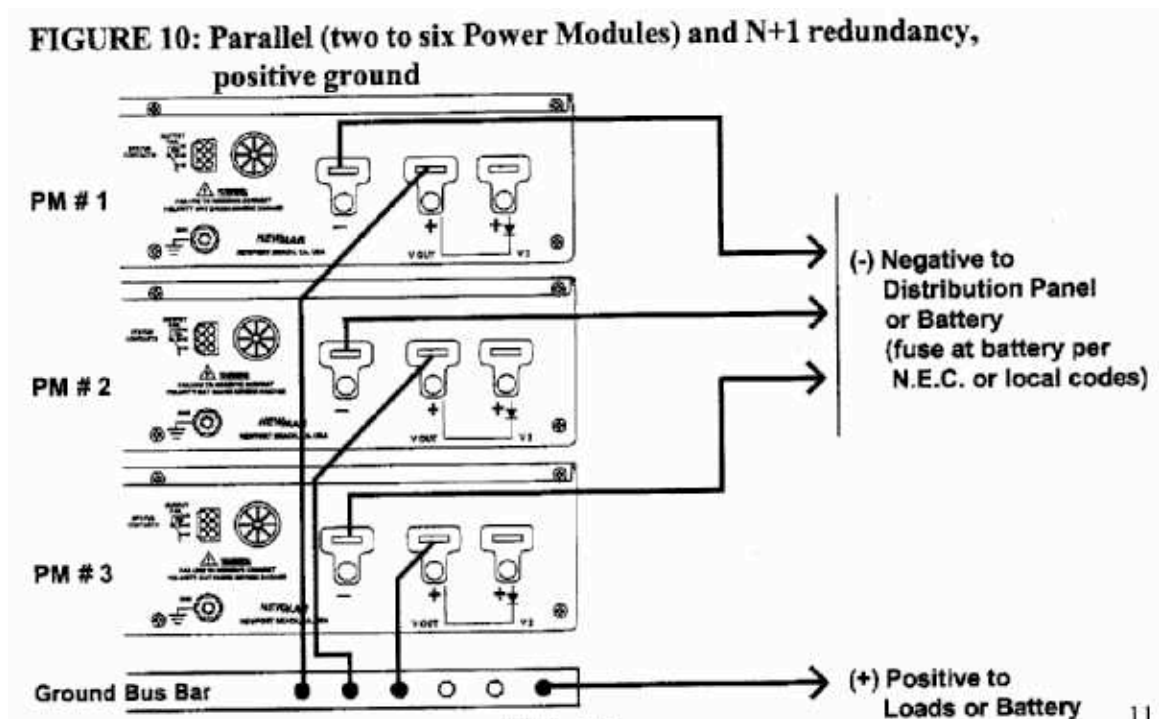
Title: Installing Multiple Power Supplies for Link 3000 Systems.

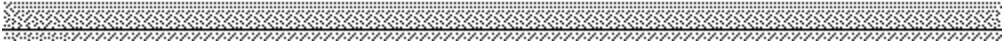
Description: When installing a Link 3000 system that is using more than 1 power supply, they must be connected together properly. By connecting the power supplies together, you are insuring that are commonly grounded and will not have any issues with the voltages drifting apart from one another.

Related Documentation:

NewMar Electronic Power Products (M-PMSE-A)
PM Series Power Module Installation / Operation Manual

Setup: The 48 V return leads on each power supply should be wired together to create a common bus. Once they are tied together, they can then be wired to every Link 3000 shelf. The -48 V leads on the power supplies can be run directly to each Link 3000 shelf accordingly. The following diagram illustrates this model using Newmar power supplies.





DISCLAIMER

THE INFORMATION PROVIDED IN THE SPECTRALINK TECHNICAL BULLETIN IS PROVIDED "AS IS" WITHOUT WARRANTY OF ANY KIND. NO OBLIGATION OR LIABILITY WILL ARISE OUT OF, SPECTRALINK RENDERING TECHNICAL OR OTHER ADVICE OR SERVICE IN CONNECTION HEREWITH.