

# Grounding Information

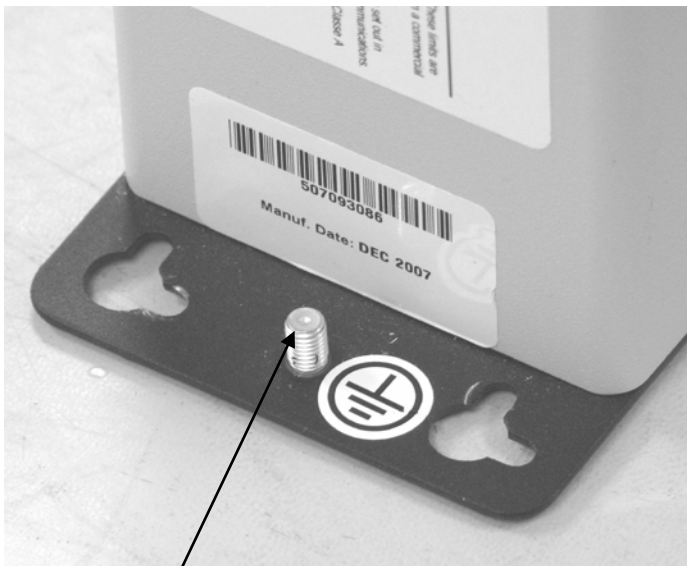
This unit must be installed by a service person familiar with the installation of electronic equipment.

Do not power up the unit before it has been properly grounded to a protective earth.



## Safety Warning

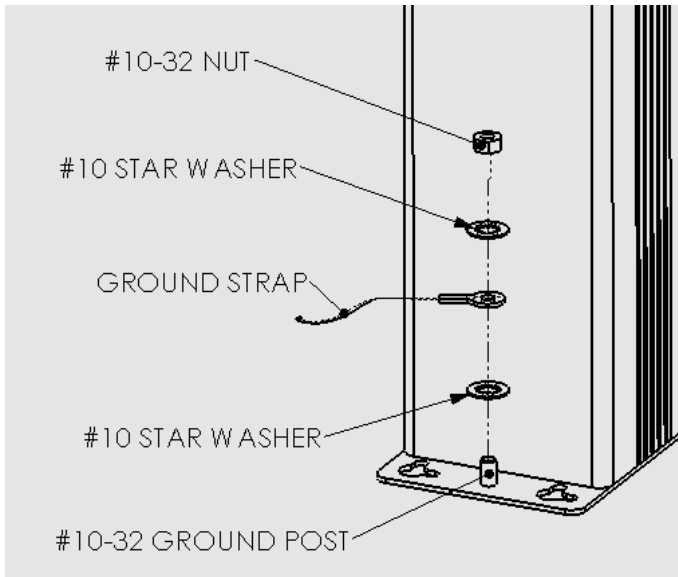
The metal chassis of this unit may contain leakage currents (i.e., "touch" current) which is cumulative when multiple units are connected together to form a system. To prevent the summation of leakage currents from being present on exposed metal surfaces, the following installation procedure must be followed.



Grounding stud

All system units must be grounded to a protective earth by means of the grounding stud located on the rear panel.

Refer to the illustration below for recommended continuity connection.



No more than 15 units may be grounded through one connection to the protective earth ground. Systems involving more than 15 units must be broken up into groups of 15 or fewer units with each group provided with an independent protective earthing conductor.

## Connect power

- 1 Once the units have been properly grounded, connect the power plug from the AC adapter to the jack labeled **PWR** on the unit.
- 2 Plug the AC adapter into an 110VAC outlet to apply power to the device.
- 3 Verify that leakage current ("touch" current) is below 250  $\mu$ A rms on exposed metal surfaces.
- 4 If leakage is excessive, power off the system and re-verify ground path continuity.



### Note

Please refer to the *Administration Guide* that pertains to this unit for further installation instructions.